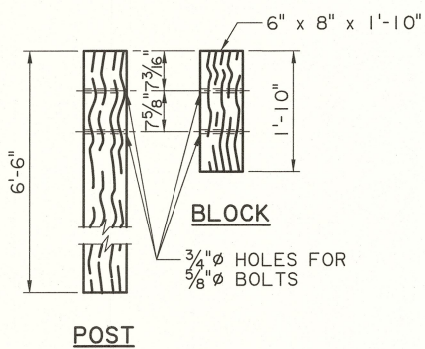
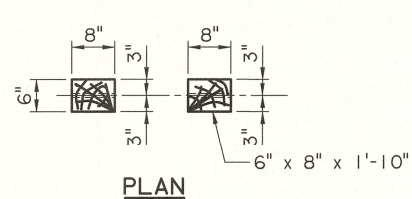


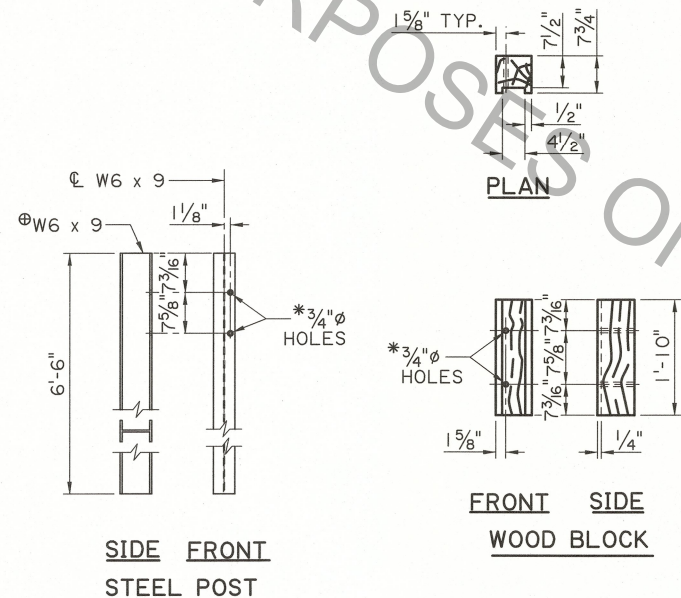
TYPICAL GUARD RAIL LAYOUT - FOR FLEXIBLE BRIDGE RAIL SYSTEM

NOTES

LAYOUTS SHOWN ARE FOR BRIDGE STRUCTURES WHICH HAVE FLEXIBLE BRIDGE RAILING.
 FOR ADDITIONAL INFORMATION ON GUARD RAILS, SEE STANDARD PLANS FOR HIGHWAY GUARD RAIL (MASH).

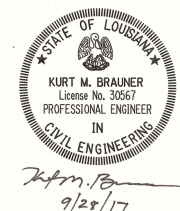


WOOD POST AND WOOD BLOCK FOR STANDARD THRIE BEAM GUARD RAIL
 N.T.S.



STEEL POST AND ROUTED WOOD BLOCK FOR STANDARD THRIE BEAM GUARD RAIL
 N.T.S.

- ⊕ A W6 x 8.5 STEEL POST MAY BE USED AS AN ALTERNATE FOR A W6 x 9 POST.
- * POST AND BLOCK HOLES SHALL BE DRILLED ADJACENT TO THE DIRECTION OF THE TRAFFIC.



SHEET NUMBER		PARISH		CONTROL SECTION		STATE PROJECT	
DESIGNED	P. FOSSIER	CHECKED	C. GAUDRY	DETAILED	J. DOUGET	CHECKED	P. FOSSIER
REVIEWED	K. BRAUNER	SERIES #		NO.	DATE	BY	REVISION OR CHANGE ORDER DESCRIPTION
APPROACH GUARD RAIL FOR STRUCTURES WITH FLEXIBLE RAILS FOR USE WITH HIGHWAY GUARD RAIL (MASH)							
BD.2.6.5.2.06							
BRIDGE AND STRUCTURAL DESIGN							