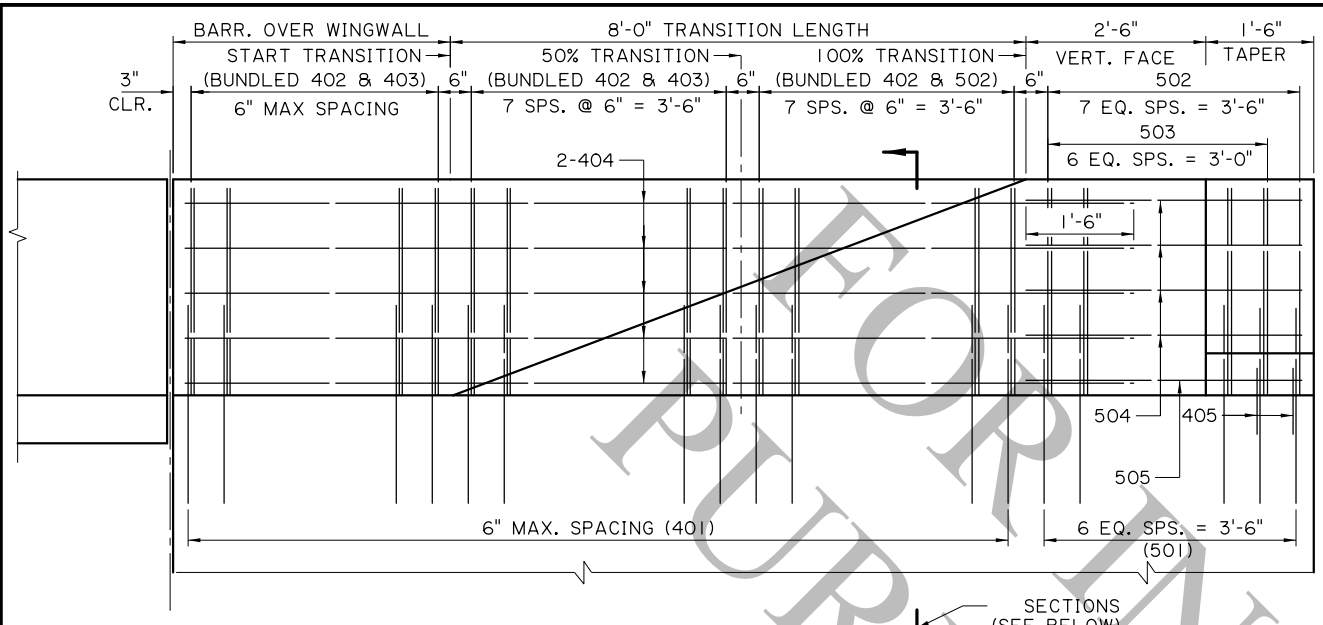
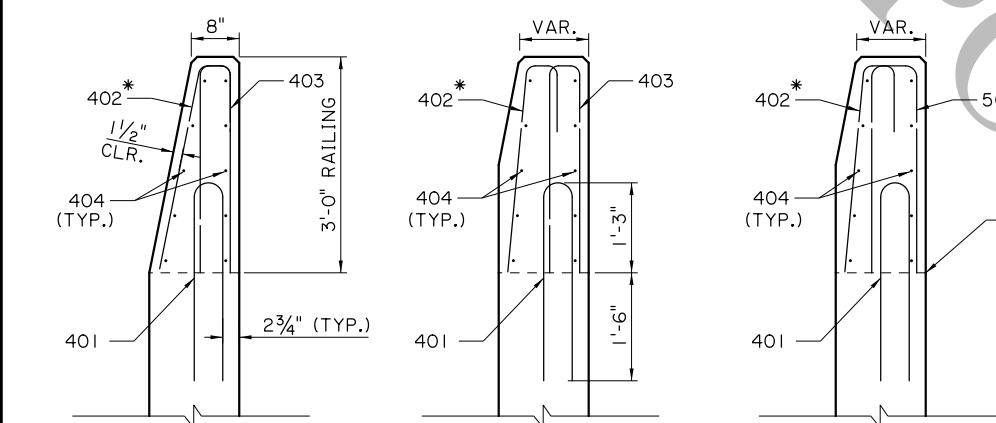


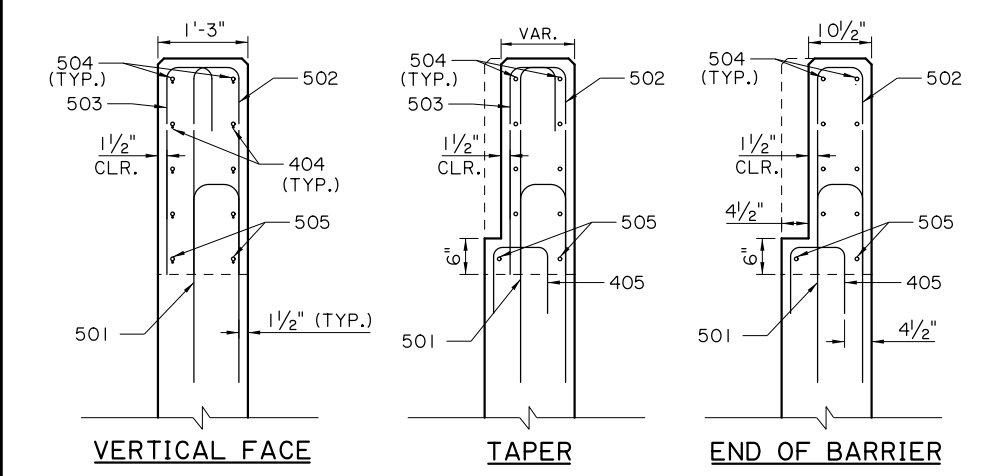
11/25/2025 10:42  
 IP\_PWP:q1226615\BD.7.1.3.02 - 36in Single Slope Barrier Transition (Wingwall)



**BARRIER RAILING TRANSITION ELEVATION**

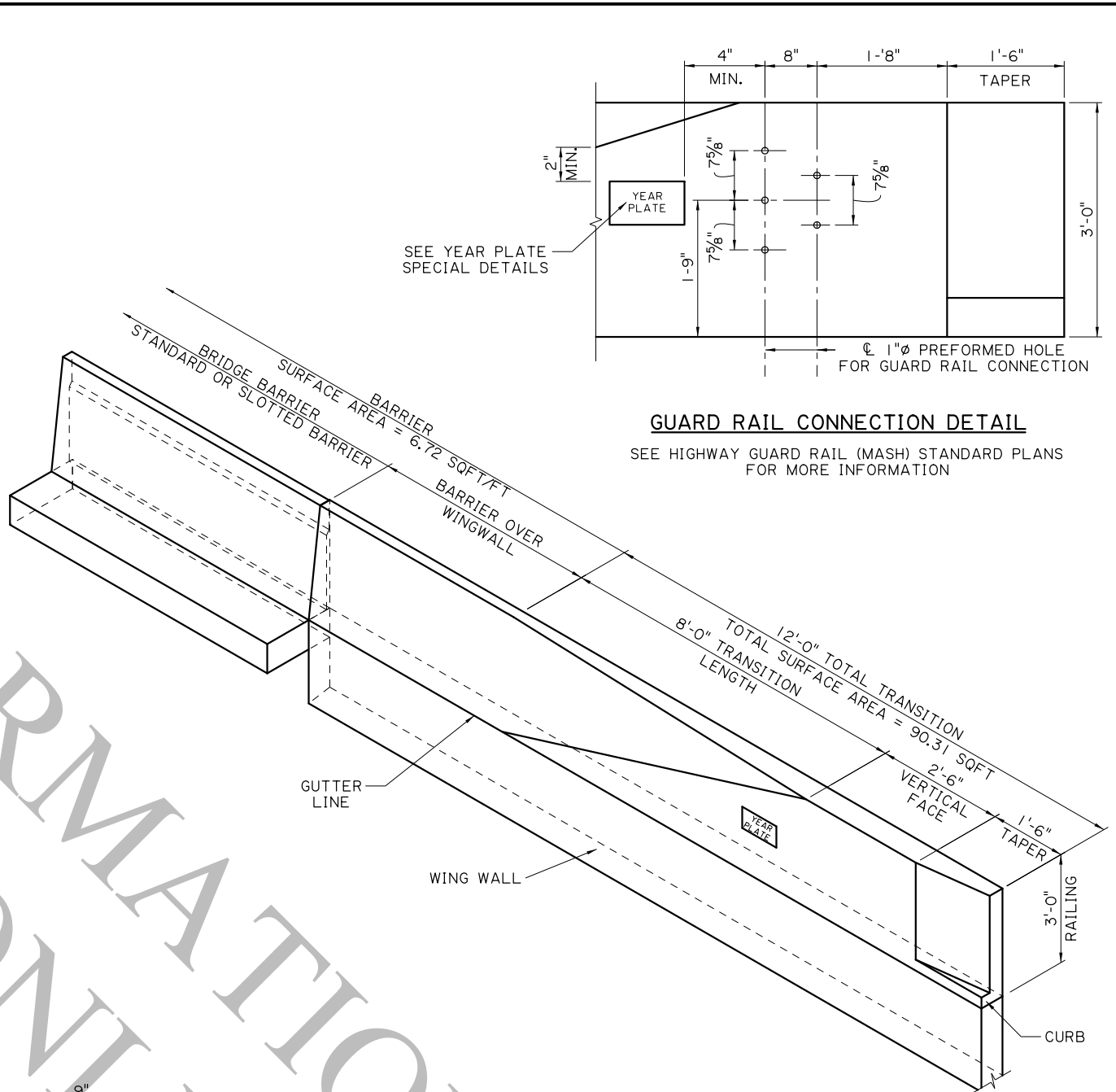
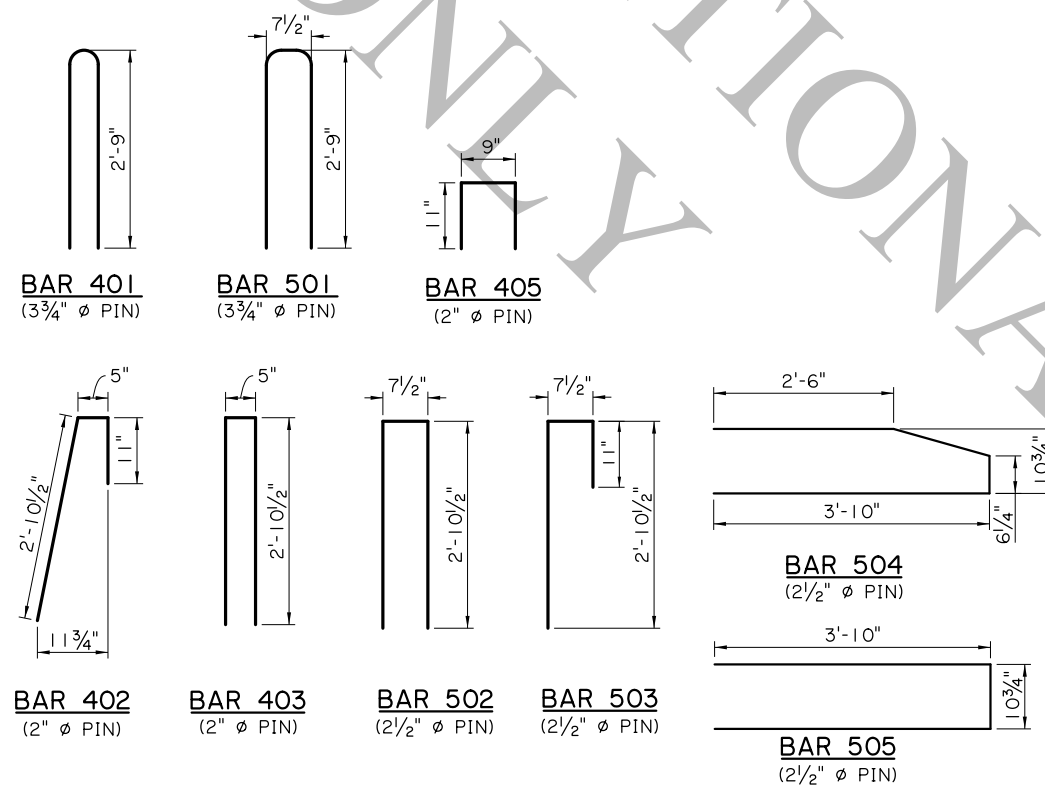


**BARRIER OVER WINGWALL AND START OF TRANSITION**  
**BEFORE 50% TRANSITION**  
**AFTER 50% TRANSITION**

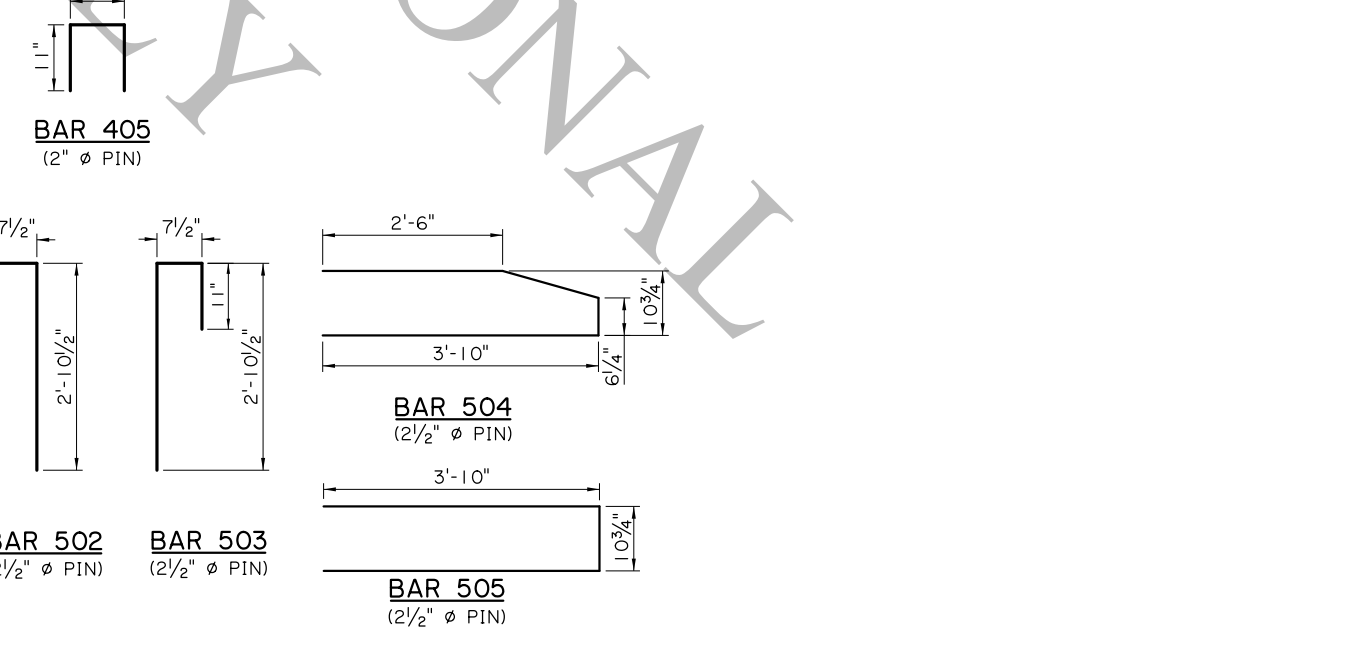


**VERTICAL FACE**  
**TAPER**  
**END OF BARRIER**

- NOTES:**
- SEE "BRIDGE BARRIER COMMON - GENERAL NOTES & INDEX" SHEET FOR GENERAL BRIDGE BARRIER NOTES.
  - CURB SHALL BE POURED MONOLITHIC WITH BARRIER.
  - ADJUST ANGLE OF LEG AS NEEDED TO MAINTAIN MIN. COVER AT FACE OF BARRIER.



**GUARD RAIL CONNECTION DETAIL**  
 SEE HIGHWAY GUARD RAIL (MASH) STANDARD PLANS FOR MORE INFORMATION



SHEET NUMBER		PARISH		CONTROL SECTION		STATE PROJECT	
DESIGN	S. MAZUR	CHECK	C. GAUDRY	DETAIL	S. MAZUR	CHECK	C. GAUDRY
APPROVED BY CHIEF ENGINEER:	[Signature]		REVISION OR CHANGE ORDER DESCRIPTION	NO.	DATE	BY	DATE
				<b>TRANSITION ON WING WALL</b> 36" SINGLE SLOPE BRIDGE BARRIER			
				STANDARD PLAN			