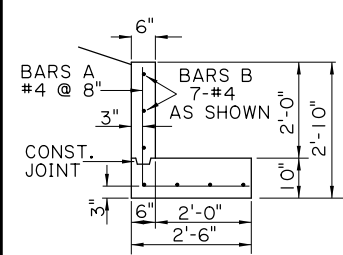
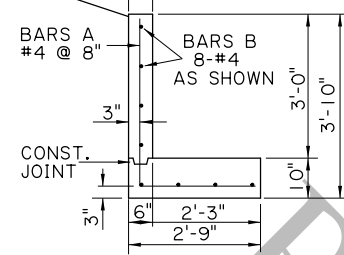


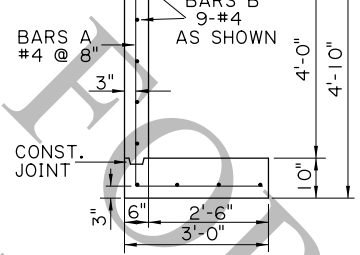
NOTE: MINIMUM CONCRETE COVER SHALL BE 3" FOR THE RETAINING SIDE OF THE WALL AND FOR THE FOOTING, AND 2" FOR THE OPEN SIDE OF THE WALL.



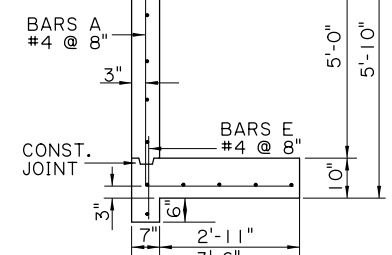
TYPE L2



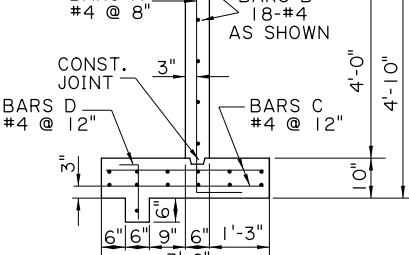
TYPE L3



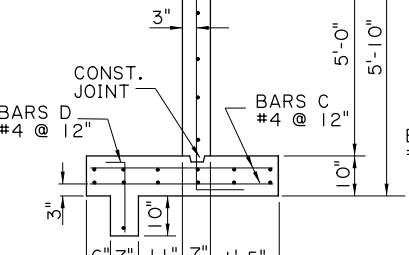
TYPE L4



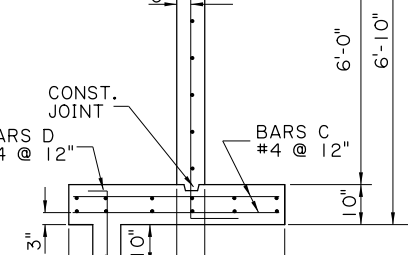
TYPE L5



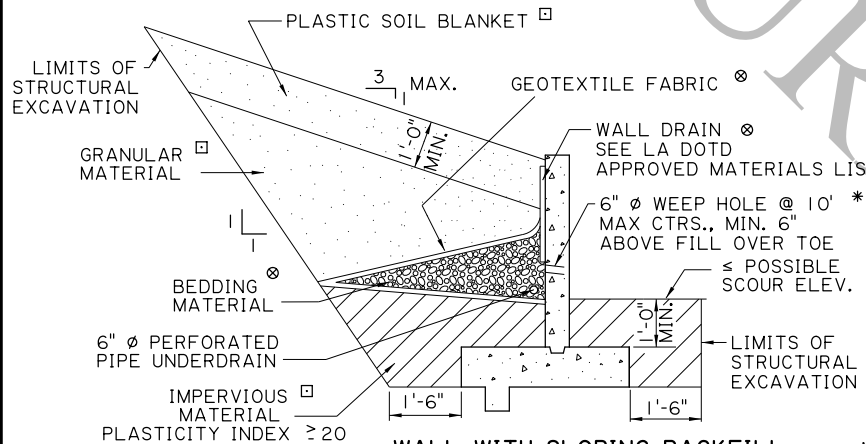
TYPE T4



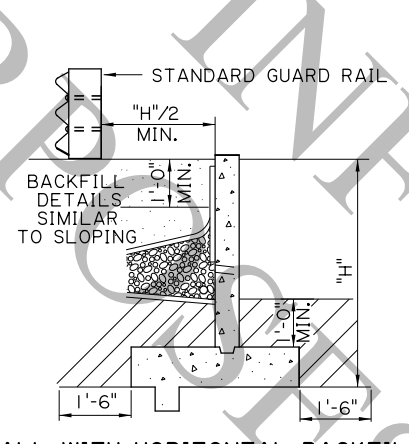
TYPE T5



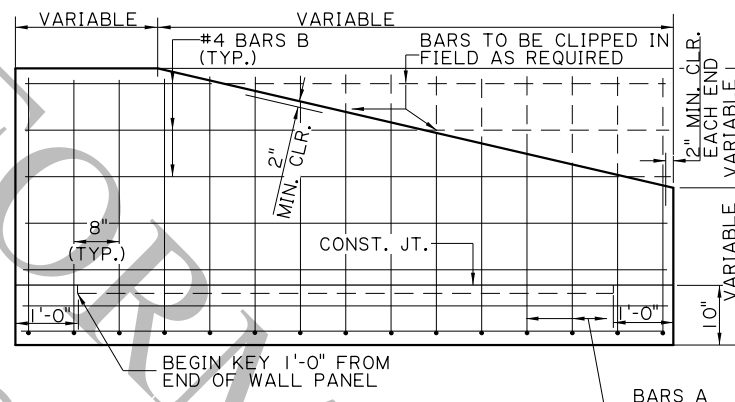
TYPE T6



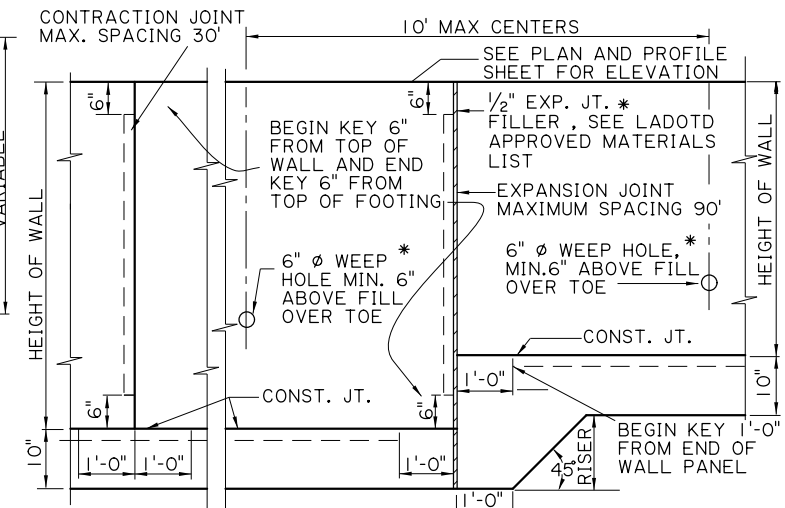
WALL WITH SLOPING BACKFILL  
T-WALL SHOWN. L-WALL SIMILAR.



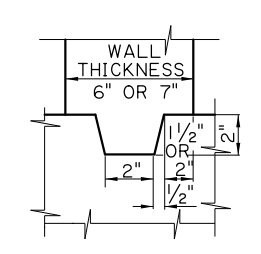
WALL WITH HORIZONTAL BACKFILL  
T-WALL SHOWN. L-WALL SIMILAR.



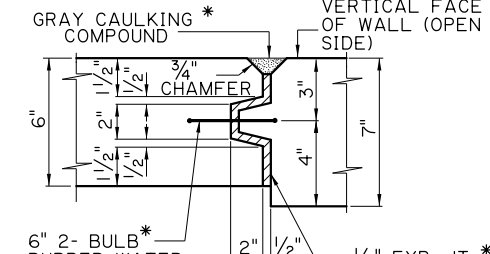
TYPICAL ELEVATION  
SHOWING REINFORCEMENT DETAILS  
SHEAR KEY NOT SHOWN FOR CLARITY



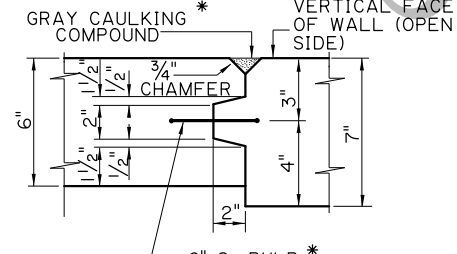
PART ELEVATION OF RETAINING WALL  
SHOWING RISER UNDER FOOTING



WALL TO FOOTING  
KEY DETAIL



EXPANSION JOINT DETAIL



CONTRACTION JOINT DETAIL

REBAR DIMENSIONS

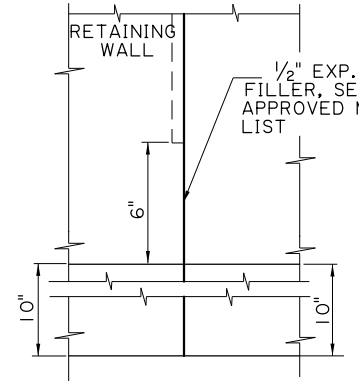
WALL TYPE	BAR A SIZE	a	b	LENGTH	BAR C LENGTH	BAR D LENGTH	BAR E LENGTH
L2	#4	2'-5"	2'-1"	4'-6"			
L3	#4	3'-5"	2'-4"	5'-9"			
L4	#4	4'-5"	2'-7"	7'-0"			
L5	#4	5'-5"	3'-1"	8'-6"			1'-6"
T4	#4	4'-5"	0'-10"	5'-3"	3'-2"	1'-3"	
T5	#4	5'-5"	1'-1"	6'-6"	3'-8"	1'-7"	
T6	#4	6'-5"	1'-4"	7'-9"	4'-2"	1'-7"	

NOTES:  
ALL BARS ARE #4  
BARS B,C, & E ARE STRAIGHT  
BAR B LENGTH = WALL LENGTH BETWEEN JOINTS MINUS 4"

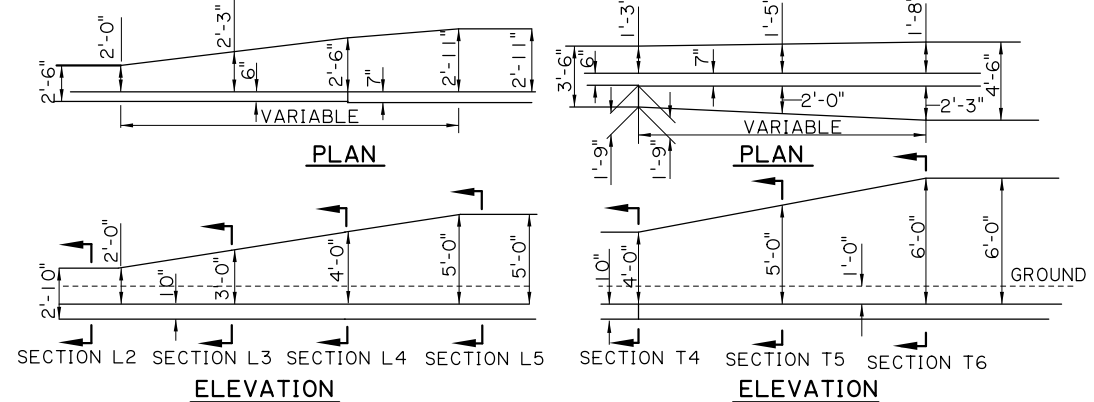
MATERIAL QUANTITIES  
PER LINEAR FOOT OF WALL

WALL TYPE	L2	L3	L4	L5	T4	T5	T6
CLASS A1 CONCRETE CUYD	0.077	0.140	0.167	0.211	0.191	0.249	0.287
DEFORMED REINFORCING STEEL LB	9.2	11.0	13.0	18.0	22.4	25.2	28.4

6" Ø PERFORATED PIPE UNDERDRAIN WILL BE PAID PER LIN. FT.



FOOTING EXPANSION JOINT DETAIL



"L" TYPE WALL TRANSITION FROM L2 TO L5  
"T" TYPE WALL TRANSITION FROM T4 TO T6

SLOPING RETAINING WALL

NOTES:

- STRUCTURAL CONCRETE CAPACITY HAS BEEN DESIGNED IN ACCORDANCE WITH AASHTO LRFD FOURTH EDITION 2007 WITH 2008 AND 2009 INTERIM SPECIFICATIONS.
- USE CLASS A1 CONCRETE. CHAMFER ALL EXPOSED CORNERS 3/4".
- DEFORMED REINFORCING BARS SHALL BE GRADE 60. DIMENSIONS RELATING TO REINFORCING STEEL SPACING ARE TO BAR CENTERS.
- MAXIMUM SPACING OF EXPANSION JOINT IS 90 FT.
- MAXIMUM SPACING OF CONTRACTION JOINT IS 30 FT.
- INSTALL WALL DRAIN AND PERFORATED PIPE UNDERDRAIN CONFORMING TO THE SPECIFICATIONS.

- \* TO BE INCLUDED WITH COST OF CLASS A1 CONCRETE.
- ⊗ TO BE INCLUDED WITH COST OF PERFORATED PIPE UNDERDRAIN.
- BACKFILL MATERIAL TO BE INCIDENTAL TO STRUCTURAL EXCAVATION IN CUT SECTION AND WILL BE PAID FOR AS EMBANKMENT IN FILL SECTION.

SHEET NUMBER

PARISH

DESIGN T. LE

CHECK J. PELTIER

DETAIL G. GRASS

CHECK A. LANCASTER

REVIEW

STATE PROJECT

CONTROL SECTION

SERIES # | OF |

APPROVED BY CHIEF ENGINEER

DATE: 11/26/2025

NO. DATE

REVISION OR CHANGE ORDER DESCRIPTION

BY

STATE OF LOUISIANA

MISC. RETAINING WALL DETAILS  
T & L TYPES  
2'-0" THROUGH 6'-0" HEIGHTS

FW-01

DOTD  
LOUISIANA DEPARTMENT OF TRANSPORTATION & DEVELOPMENT

STANDARD PLAN