

**Louisiana**  
Department of Transportation  
and  
Development

**Traffic Control Standard**  
Number 22

---

Pull Box for Traffic Signals



*Jason Haraway*  
8/29/24

Revised August 29, 2024

## **DESCRIPTION**

The specification sets forth the minimum requirements for precast concrete composite traffic signal wiring pull boxes and covers. This specification refers to the American National Standards Institute/Society of Cable Telecommunications Engineers 77 (ANSI/SCTE 77) standards within.

## **REQUIREMENTS**

See **Figure 1**, for pull box types and dimensions. Pull box measurements shall meet the requirements of the given sizes of no less than ½” smaller up to 2” larger. Pull box bases shall be hollow.

Covers shall be embossed with the logo “TRAFFIC SIGNAL” as indicated in each figure. Pull box covers shall cover the entire top opening of the pull box, have a skid resistant surface and a pull slot(s) as specified in the figure.

All boxes shall be provided with stainless steel or brass hardware that will secure the cover in place. Boxes and covers shall be supplied with two (2) sets of hex head bolts with washers.

## **DESIGN & TESTING**

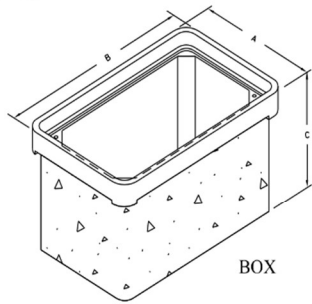
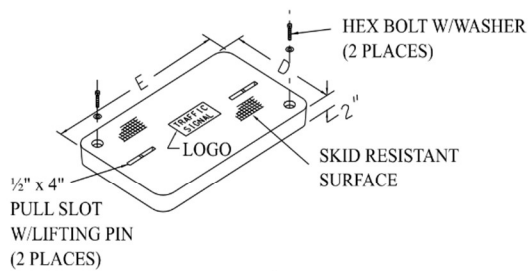
The design and testing of the boxes and covers shall conform to ANSI/SCTE 77-2023, Tier 15.

## **DOCUMENTATION**

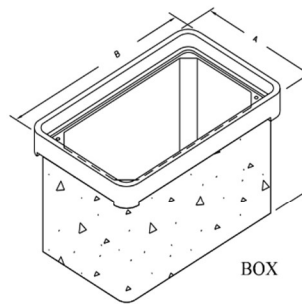
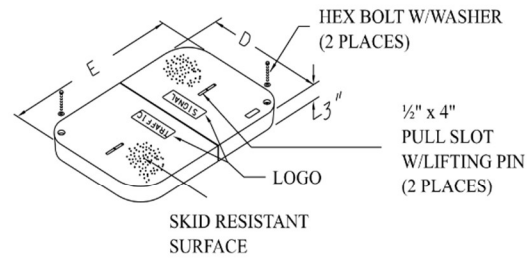
Technical data indicating compliance with this specification and test documents should be supplied with each shipment.

# FIGURE 1

## BOX TYPE D, E, AND F ONE-PIECE COVER



## BOX TYPE G, H, I, AND J SPLIT-TOP COVER



Product ID	Box Type	Length (A)	Width (B)	Depth (C)	Cover Length (D)	Cover Width (E)
10537	"D"	15"	15"	12"	13"	13"
10538	"E"	15"	25"	12"	14"	23"
10539	"F"	19"	32"	12"	18"	31"
10540	"G"	26"	38"	18"	24"	36"
10541	"H"	26"	38"	36"	24"	36"
10542	"I"	32"	50"	18"	30"	48"
10543	"J"	32"	50"	36"	30"	48"

NOTE:  
 Box and cover dimensions are nominal.