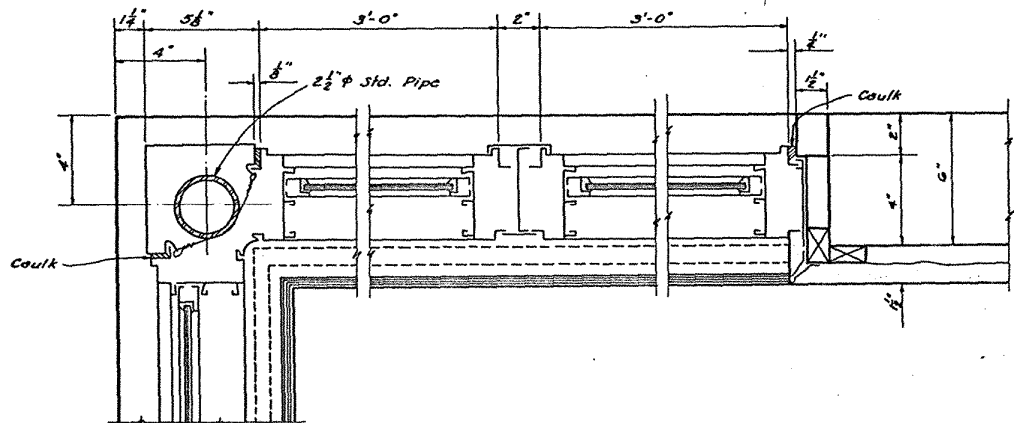
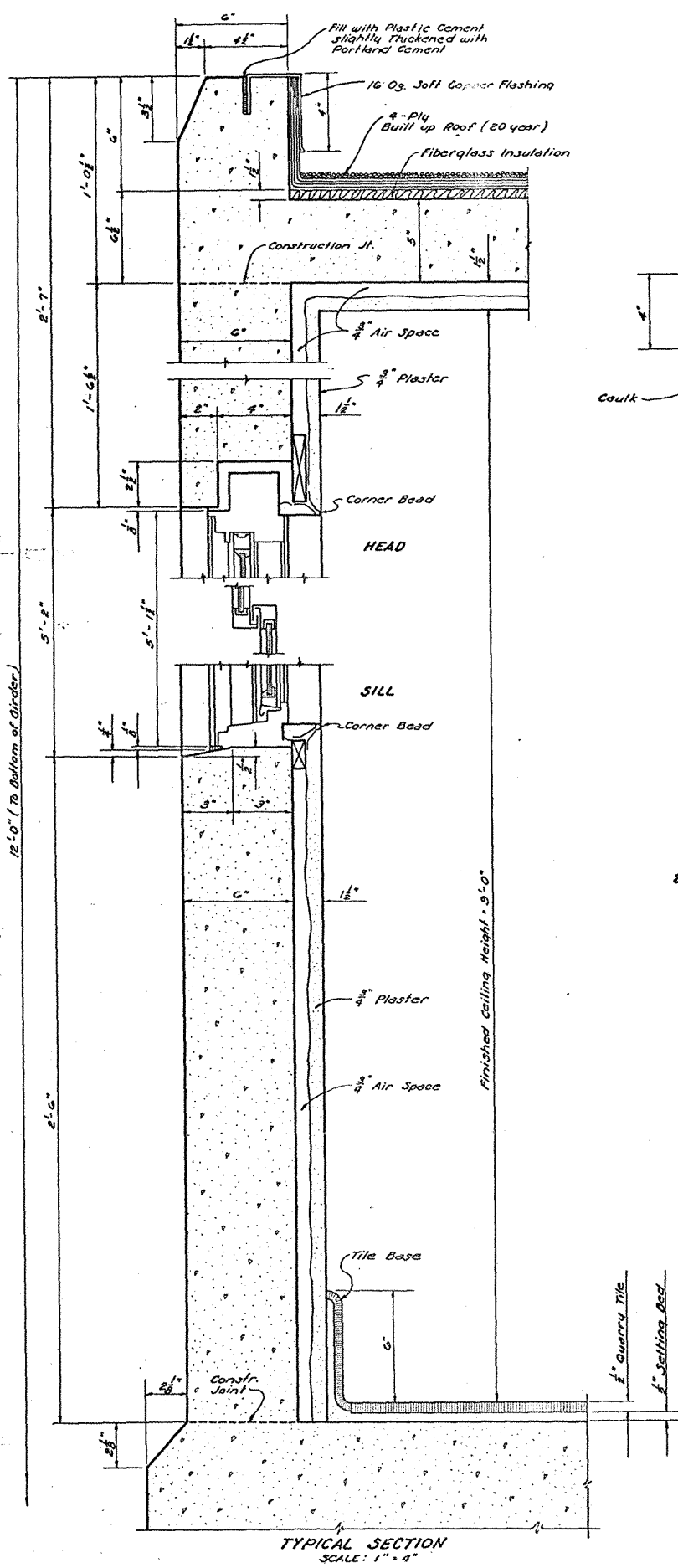
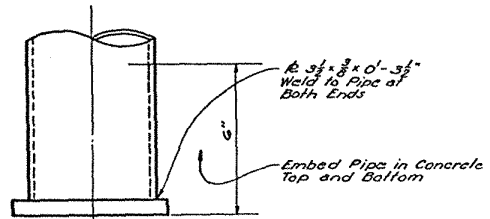


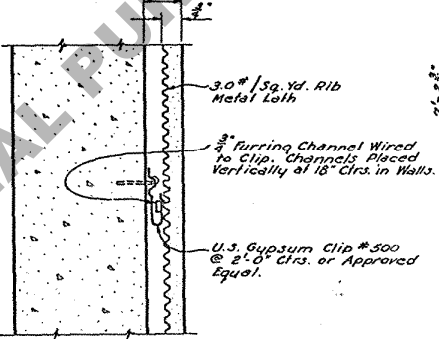
STATE PROJECT	PARISH	SHEET NO.



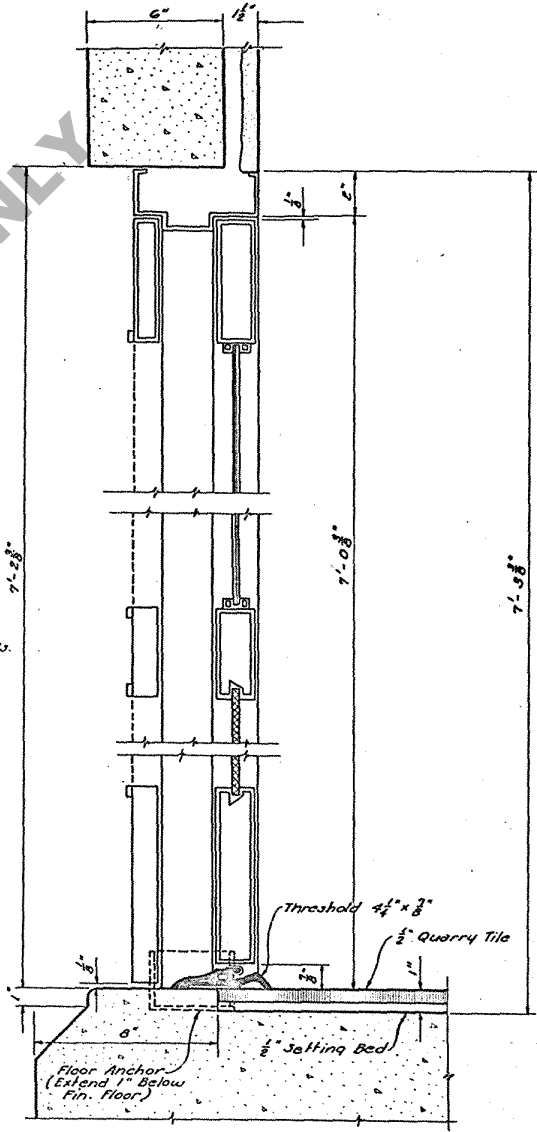
WINDOW MULLION AND JAMB DETAILS  
SCALE: 1" = 4"



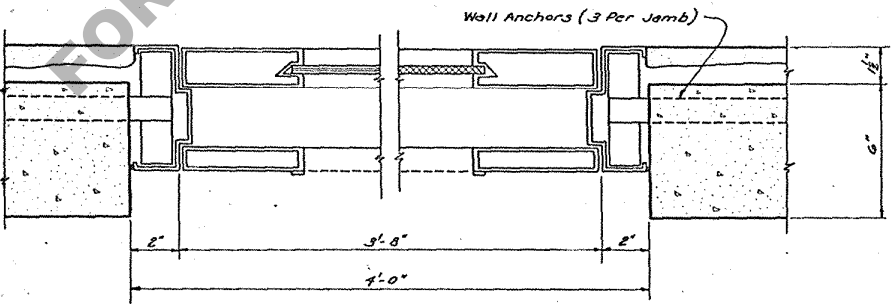
2 1/2" PIPE DETAIL  
SCALE: 1/2" = 1"



LATHING DETAILS  
SCALE: 1/4" = 1'-0"



DOOR DETAILS  
SCALE: 1" = 4"



EXTERIOR DOOR JAMB DETAILS  
SCALE: 1" = 4"

**STANDARD PLAN  
OPERATOR'S HOUSE**

DATE: JAN. 1955

**STATE OF LOUISIANA  
DEPARTMENT OF HIGHWAYS**

DESIGNED	DETAILS	TRACED
CHECKED	CHECKED	CHECKED
BY	BY	BY

REVISIONS