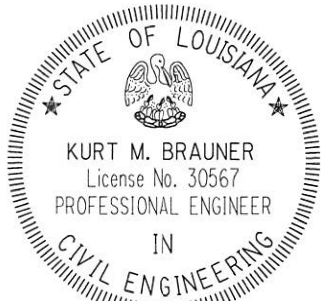


TYPICAL GUARD RAIL LAYOUT - FOR FLEXIBLE BRIDGE RAIL SYSTEM

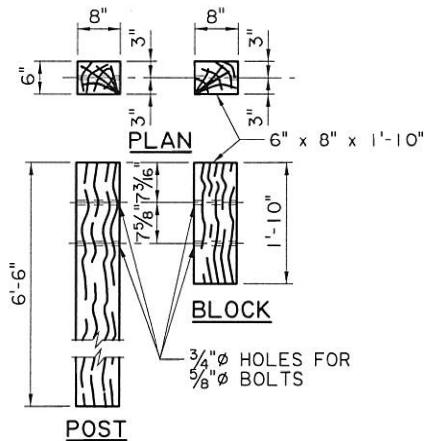
NOTES

LAYOUTS SHOWN ARE FOR BRIDGE STRUCTURES WHICH HAVE FLEXIBLE BRIDGE RAILING.

FOR ADDITIONAL INFORMATION ON GUARD RAILS, SEE STANDARD PLANS FOR HIGHWAY GUARD RAIL (MASH).

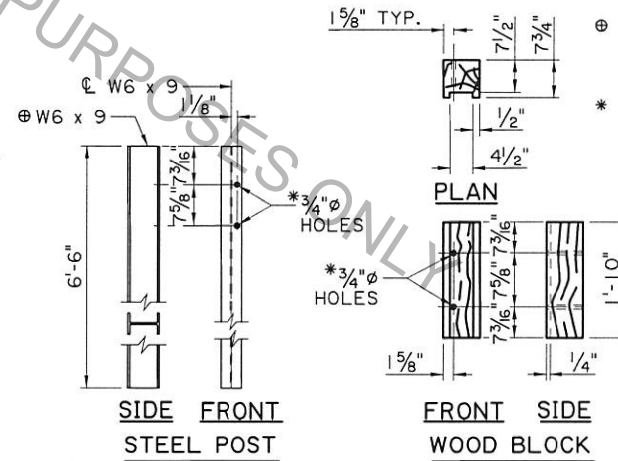


Kurt M. Brauner
9/28/17



WOOD POST AND WOOD BLOCK FOR STANDARD THRIE BEAM GUARD RAIL

N.T.S.



STEEL POST AND ROUTED WOOD BLOCK FOR STANDARD THRIE BEAM GUARD RAIL

N.T.S.

- ⊕ A W6 x 8.5 STEEL POST MAY BE USED AS AN ALTERNATE FOR A W6 x 9 POST.
- * POST AND BLOCK HOLES SHALL BE DRILLED ADJACENT TO THE DIRECTION OF THE TRAFFIC.

BRIDGE AND STRUCTURAL DESIGN		APPROACH GUARD RAIL	DESIGNED	P. FOSSIER	PARISH		SHEET NUMBER
		FOR STRUCTURES WITH FLEXIBLE RAILS	CHECKED	C. GAUDRY	CONTROL SECTION		
		FOR USE WITH HIGHWAY GUARD RAIL (MASH)	DETAILED	J. DOUCET	STATE PROJECT		
		STANDARD DETAILS	BD.2.6.5.1.06	CHECKED	P. FOSSIER		
			REVIEWED	K. BRAUNER			
			SERIES #				
			NO.	DATE	REVISION OR CHANGE ORDER DESCRIPTION	BY	