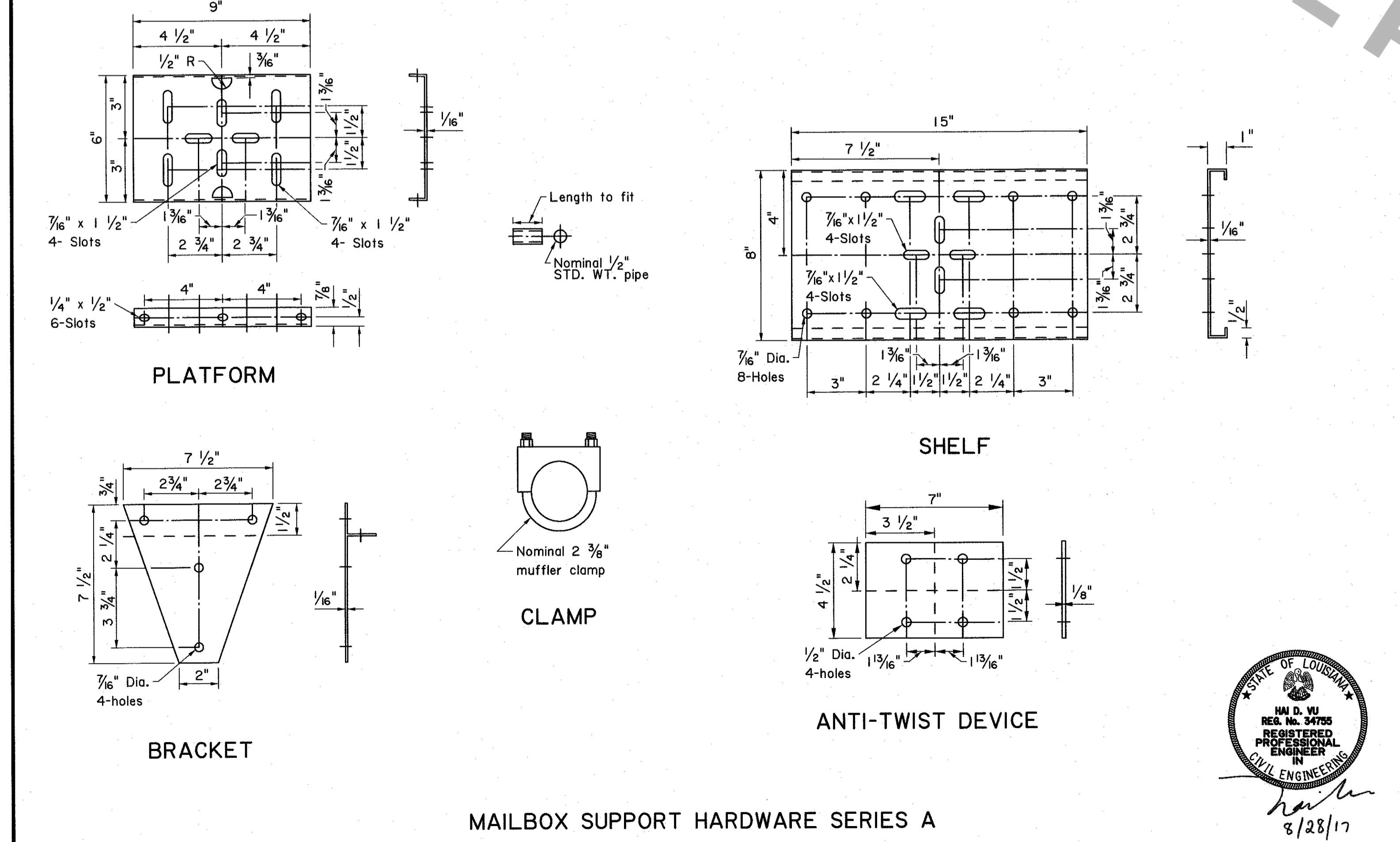
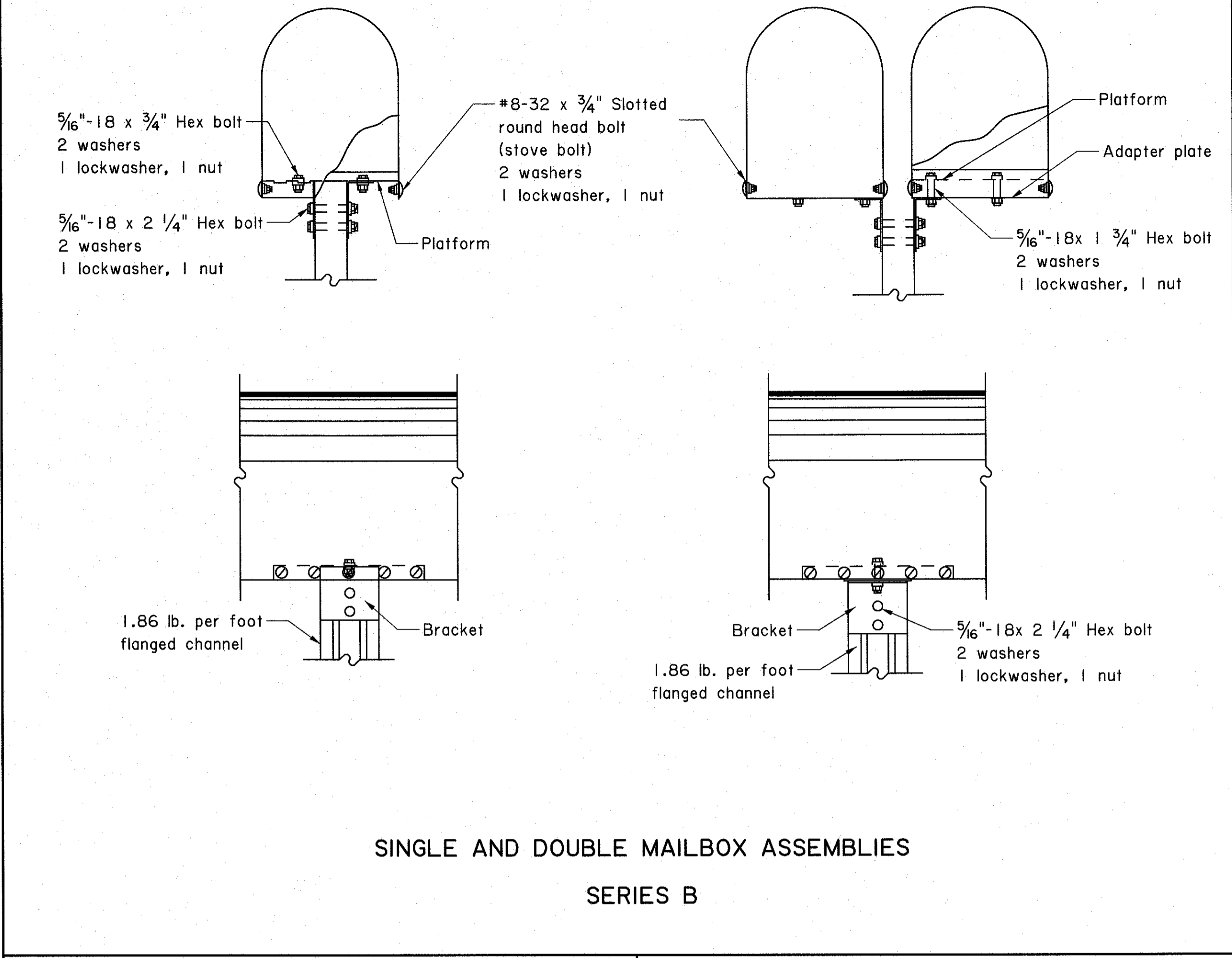
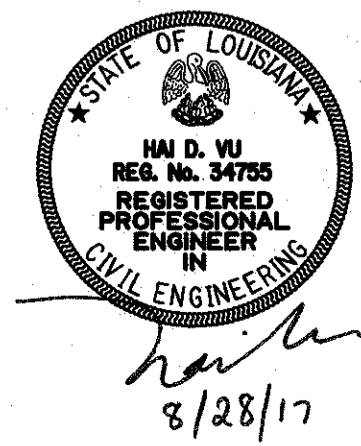


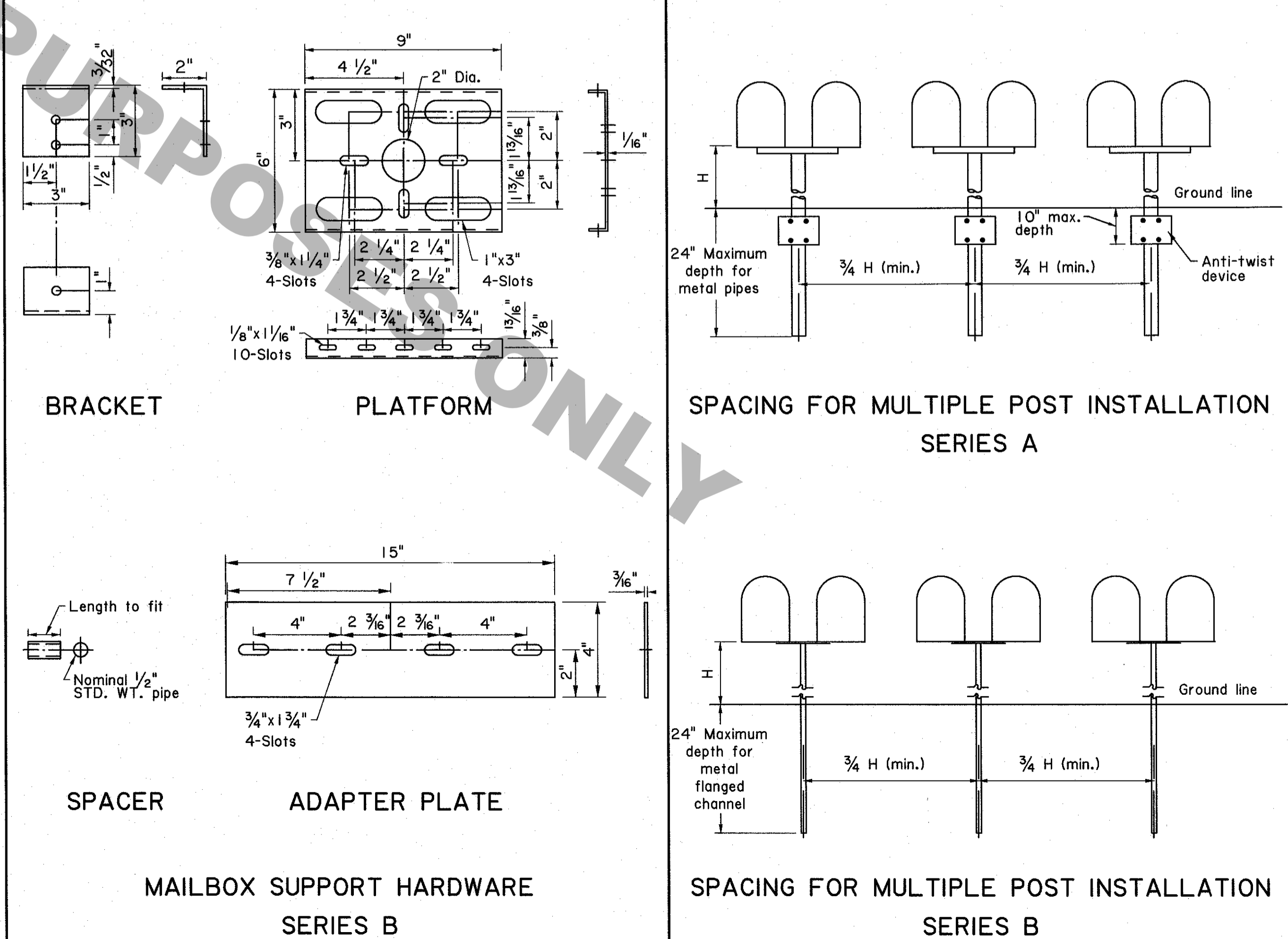
SINGLE AND DOUBLE MAILBOX ASSEMBLIES
SERIES A



MAILBOX SUPPORT HARDWARE SERIES A



SINGLE AND DOUBLE MAILBOX ASSEMBLIES
SERIES B



MAILBOX SUPPORT HARDWARE
SERIES B

SPACING FOR MULTIPLE POST INSTALLATION
SERIES A

SPACING FOR MULTIPLE POST INSTALLATION
SERIES B

DESIGNED BY H. VU	CONTROL SECTION S. ARDOIN	DATE MAY 2017	SHEET 2 OF 2
CHECKED BY S. ARDOIN	PARISH VU	STATE LA	PROJECT DOTD
REVISION DESCRIPTION BY S. ARDOIN	DATE MAY 2017	APPROVED BY J. Williams CHIEF ENGINEER	
MAILBOX INSTALLATION DETAILS MB-01			
DOTD DOTD ROAD DESIGN			