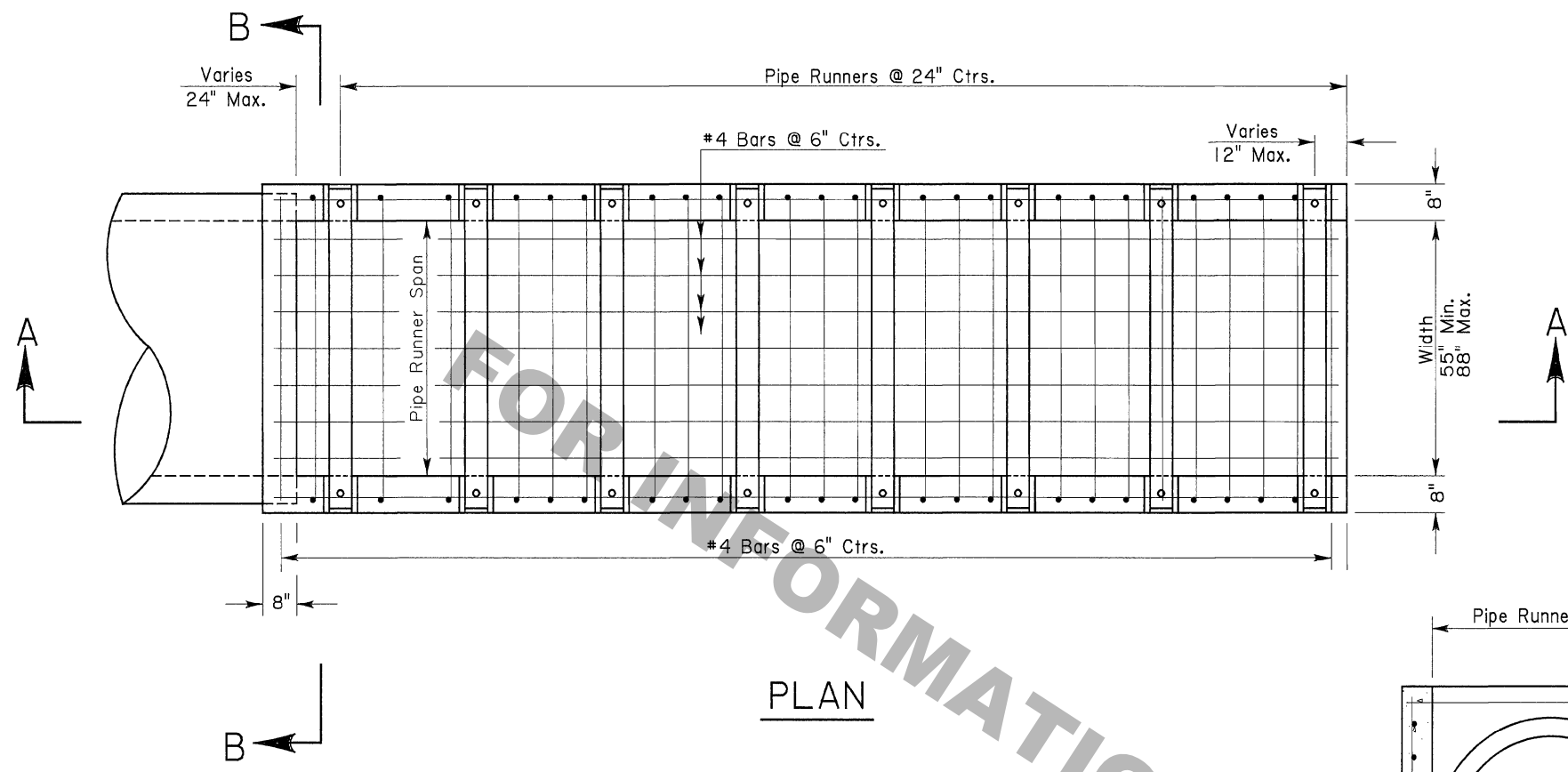


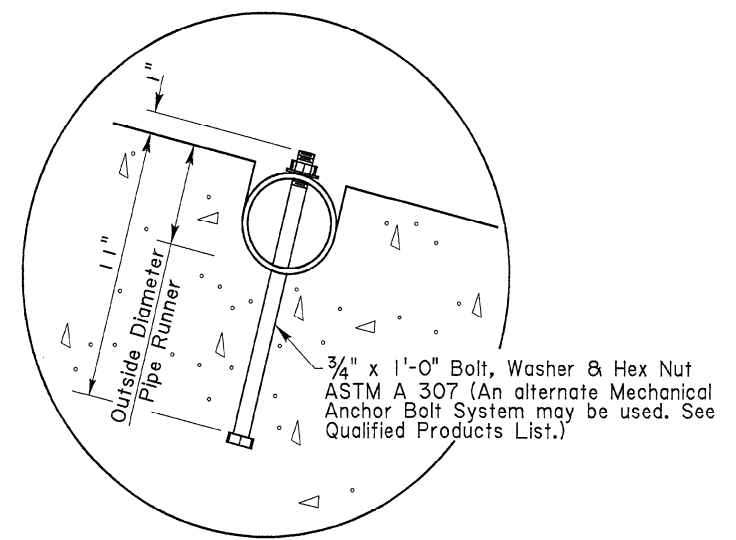
28-NOV-2007 11:20

R:\Standard Plans\Special Details\English\Old Sheets\setsd3.dgn

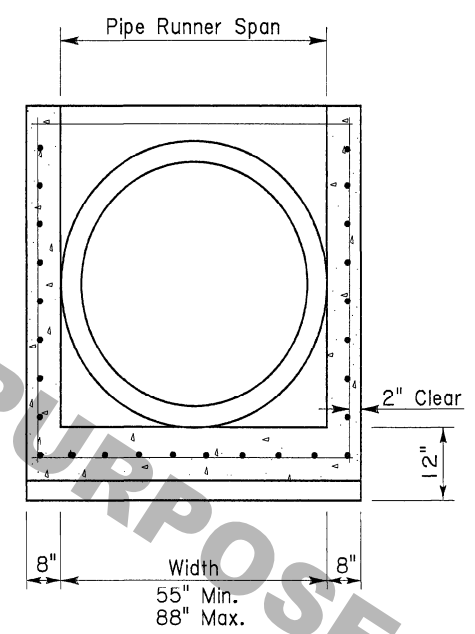
FEDERAL PROJECT	STATE PROJECT	PARISH	SHEET NO.



PLAN



INSET "A"



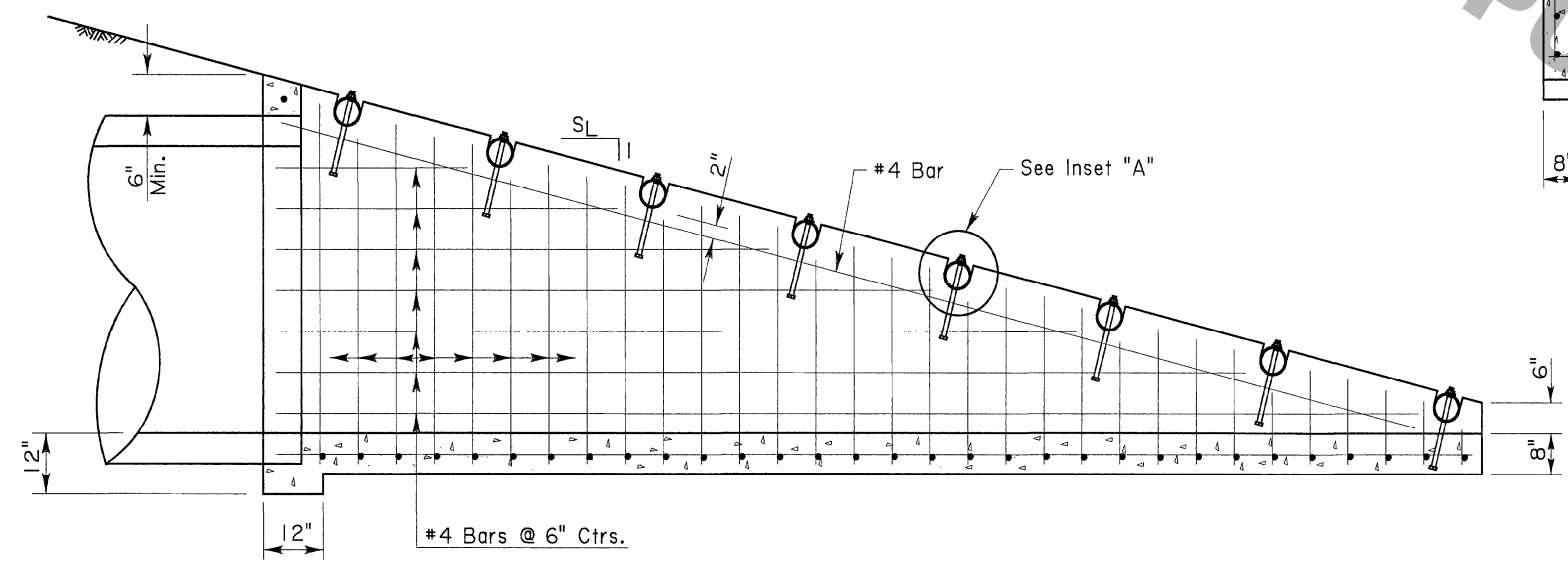
SECTION B-B

General Notes:

- 1) While a RCP culvert is detailed, this Safety End shall also be used with RCPA, CMP, CMPA, and RCB culverts. Multiple culverts will require multiple Safety Ends.
- 2) Slope of Safety End walls (S_L:1) shall match the required sideslope. If no sideslope is given, a slope of 6:1 shall be required.
- 3) Pipe Runners shall be galvanized steel pipe conforming to ASTM A53, Type E or S, Grade B, 35ksi; or ASTM A501, 36ksi. Required Pipe Runner diameters and strengths for various maximum spans are:

Nominal Diameter	Strength/Schedule	Maximum* Span	Outside Diameter	Wall Thickness	Weight Per Foot
3"	Std/40	11'-2"	3.5"	0.216"	7.58 lbs

* Pipe Runners are designed for a traversing load of 1800 pounds at yield.



SECTION A-A



SPECIAL DETAIL NO.	SETS D3	SHEET	1 OF 1
SIDE DRAIN SAFETY END TYPE 3 55" MIN. TO 88" MAX. WIDTH			
DATED May 1, 1991			

DATE	DESCRIPTION	BY
1-16-98	Added Special Detail Name SETSD3	JCM
7-10-92	Revised General Notes	PAA
6-25-92	General Revisions	PAA
8-5-91	General Revisions	PAA

STATE OF LOUISIANA DEPARTMENT OF TRANSPORTATION AND DEVELOPMENT		
DESIGNED PAA	DETAILED KAJ	DIR. spdetail/softyend
CHECKED	CHECKED PAA	FILE softyend3.dgn
HYDRAULICS SECTION		